

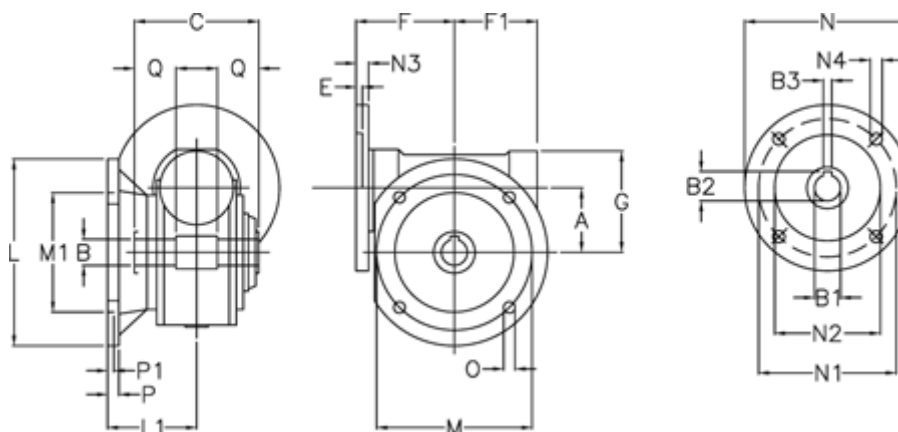
# Data Sheet



Article number: 3902185015560

Description: Worm gear  
VF 185-FC1-15-180B5, without lubrication

## Measures



|       |         |    |         |    |       |
|-------|---------|----|---------|----|-------|
| A     | = 185.4 | F1 | = 205   | N2 | = 250 |
| B     | = 60 H7 | G  | = 267   | N3 | = 18  |
| B1 E7 | = 48    | L  | = 400   | N4 | = 18  |
| B2    | = 51.2  | L1 | = 155.5 | O  | = 22  |
| B3 H9 | = 14    | M  | = 350   | P  | = 22  |
| C     | = 190   | M1 | = 280   | P1 | = 13  |
| E     | = 4     | N  | = 350   | Q  | = 65  |
| F     | = 217   | N1 | = 300   |    |       |